

SUNRISE

TRAILER PARTS

TOUGH MATERIAL FOR TOUGH AUSSIE CONDITIONS



2 FOLD

Available in:

- ▶ Checker Plate
- ▶ Smooth Natural
- ▶ Smooth Galvanised
- ▶ Aluminium



4 FOLD

Available in:

- ▶ Smooth Natural
- ▶ Checker Plate
- ▶ Smooth Galvanised
- ▶ Aluminium



TANDEM

Available in:

- ▶ Smooth Natural
- ▶ Checker Plate
- ▶ Smooth Galvanised
- ▶ Aluminium

AND MORE!
NEXT PAGE

TRAILER PARTS

MUDGUARDS

SINGLE GUARDS 2 FOLD



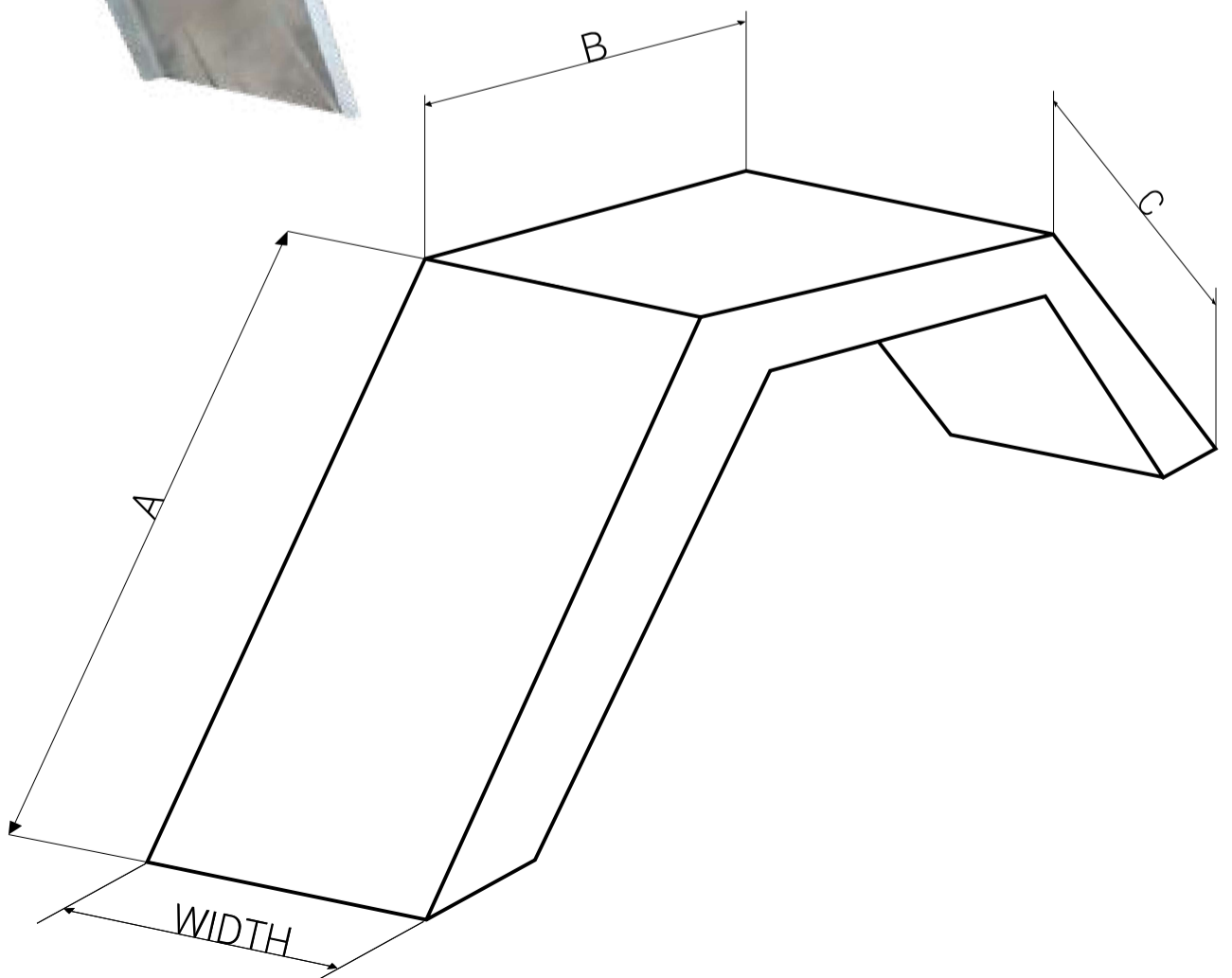
SMOOTH NATURAL					
CODE	WIDTH	LENGTH (mm)	A (mm)	B (mm)	C (mm)
SG2F9S	9"	880	515	420	310
SG2F10S	10"	880	515	420	310



C/PLATE ALUMINIUM					
CODE	WIDTH	LENGTH (mm)	A (mm)	B (mm)	C (mm)
SG2F9CPA	9"	880	515	420	310



SMOOTH GALVANISED					
CODE	WIDTH	LENGTH (mm)	A (mm)	B (mm)	C (mm)
SG2F9SG	9"	880	515	420	310
SG2F10SG	10"	880	515	420	310



SINGLE GUARDS 4 FOLD

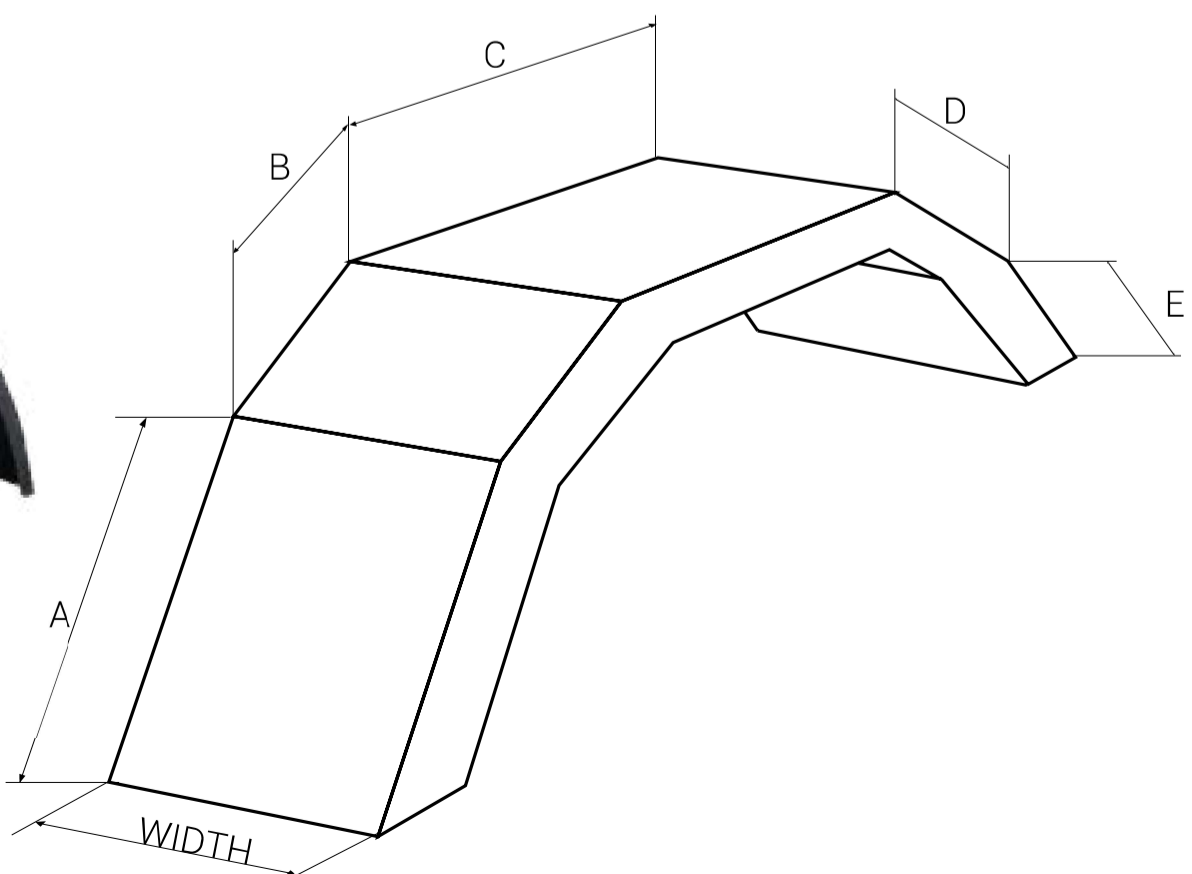
SMOOTH NATURAL							
CODE	WIDTH	LENGTH (mm)	A (mm)	B (mm)	C (mm)	D (mm)	E (mm)
SG4F9S	9"	850	270	210	395	215	155
SG4F10S	10"	850	270	210	395	215	155
SG4F11S	11"	970	390	250	440	200	315
SG4F12S	12"	970	390	250	440	200	315

C/PLATE NATURAL							
CODE	WIDTH	LENGTH (mm)	A (mm)	B (mm)	C (mm)	D (mm)	E (mm)
SG4F9CP	9"	850	270	210	395	215	155
SG4F10CP	10"	850	270	210	395	215	155
SG4F11CP	11"	970	390	250	440	200	315
SG4F12CP	12"	970	390	250	440	200	315

C/PLATE ALUMINIUM							
CODE	WIDTH	LENGTH (mm)	A (mm)	B (mm)	C (mm)	D (mm)	E (mm)
SG4F9CPA	9"	850	270	210	395	215	155
SG4F10CPA	10"	850	270	210	395	215	155

SMOOTH GALVANISED							
CODE	WIDTH	LENGTH (mm)	A (mm)	B (mm)	C (mm)	D (mm)	E (mm)
SG4F7SG	7"	680	120	195	260	290	-
SG4F8SG	8"	680	170	180	250	200	170
SG4F9SG	9"	850	270	210	395	215	155
SG4F10SG	10"	850	270	210	395	215	155

SMOOTH GALVANISED			
CODE	WIDTH	LENGTH (mm)	OVERALL(mm)
SRG9G	8"	700	1010



TANDEM & TRI AXLE METAL GUARDS



SMOOTH NATURAL FINISH

CODE	WIDTH	SIZE	LENGTH (mm)	A (mm)	B (mm)	C (mm)	D (mm)	E (mm)
TG4F9S84	9"	84"	1560	310	270	1075	260	225
TG4F9S91	9"	91"	1740	310	270	1255	260	225
TG4F10S84	10"	84"	1560	310	270	1075	260	225
TG4F10S91	10"	91"	1740	310	270	1255	260	225
TG4F10S96	10"	96"	1860	310	270	1375	260	225
TG4F11S91	11"	91"	1740	310	270	1255	260	225
TG4F11S96	11"	96"	1860	310	270	1375	260	225
TG4F12S96	12"	96"	1860	310	270	1375	260	225

SMOOTH NATURAL TRI AXLE FINISH

CODE	WIDTH	SIZE	LENGTH (mm)	A (mm)	B (mm)	C (mm)	D (mm)	E (mm)
TAG4F130S	10"	130"	2720	310	270	2235	260	225

C/PLATE NATURAL FINISH

CODE	WIDTH	SIZE	LENGTH (mm)	A (mm)	B (mm)	C (mm)	D (mm)	E (mm)
TG4F9CP84	9"	84"	1560	310	270	1075	260	225
TG4F9CP91	9"	91"	1740	310	270	1255	260	225
TG4F10CP84	10"	84"	1560	310	270	1075	260	225
TG4F10CP91	10"	91"	1740	310	270	1255	260	225
TG4F10CP96	10"	96"	1860	310	270	1375	260	225
TG4F11CP91	11"	91"	1740	310	270	1255	260	225
TG4F11CP96	11"	96"	1860	310	270	1375	260	225
TG4F12CP96	12"	96"	1860	310	270	1375	260	225

C/PLATE ALUMINIUM FINISH

CODE	WIDTH	SIZE	LENGTH (mm)	A (mm)	B (mm)	C (mm)	D (mm)	E (mm)
TG4F9CPA84	9"	84"	1560	310	270	1075	260	225
TG4F10CPA84	10"	84"	1560	310	270	1075	260	225
TG4F10CPA91	10"	91"	1740	310	270	1255	260	225

SMOOTH GALVANISED FINISH

CODE	WIDTH	SIZE	LENGTH (mm)	A (mm)	B (mm)	C (mm)	D (mm)	E (mm)
TG4F84SG	9"	84"	1560	310	270	1075	260	225
TG4F9S91G	9"	91"	1740	310	270	1255	260	225
TG4F10S84G	10"	84"	1560	310	270	1075	260	225
TG4F10S91G	10"	91"	1740	310	270	1255	260	225

SINGLE PLASTIC GUARDS

WASSON AUSTRALIAN MADE

CODE	WHEEL SIZE	COLOUR
SGP10W	10"	White
SGP10G	10"	Grey
SGP10B	10"	Black
SGP13W	13"	White
SGP13G	13"	Grey
SGP13B	13"	Black
SGP14W	14"	White
SGP14G	14"	Grey
SGP14B	14"	Black



CODE	WHEEL SIZE	COLOUR
SGP4F8	8"	Black
SGP4F10	10"	Black
SGP4F13	13"	Black



TANDEM PLASTIC GUARDS

CODE	WHEEL SIZE	COLOUR
TGP13W	13"	White
TGP13G	13"	Grey
TGP13B	13"	Black
TGP14W	14"	White
TGP14G	14"	Grey
TGP14B	14"	Black



SUNRISE MUDFLAPS



MFSO

▶ Orange

MFSB

▶ Black

Sunrise Mudflap

▶ Durable Rubber

▶ 225 x 245mm

▶ Australian Made